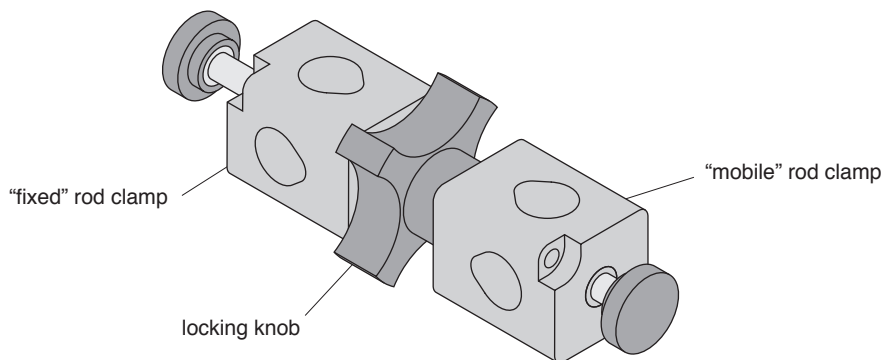


**Instruction Sheet
for the PASCO
Model ME-8744**

ADJUSTABLE ANGLE ROD CLAMP



Introduction

The Adjustable Angle Rod Clamp is designed to allow users flexibility in their lab set up.

Equipment

– Adjustable Angle Rod Clamp assembly.

Additional equipment recommended:

- PASCO ME-8735 Large Rod Stand
- PASCO ME-8738 90 cm Support Rod

Assembly

To use the Adjustable Angle Rod Clamp:

- ① Attach the “fixed” rod clamp, with the locking knob permanently affixed, to a base rod up to 1/2” (12.5 mm) in diameter. See Figure 1.
- ② Secure the rod clamp in place with the thumbscrew.
- ③ Loosen the locking knob and rotate the “mobile” rod clamp into the desired position. See Figure 2.
- ④ Tighten the locking knob against the mobile rod clamp until secure.
- ⑤ Place additional rod or equipment in the mobile rod clamp and secure with the thumbscrew.

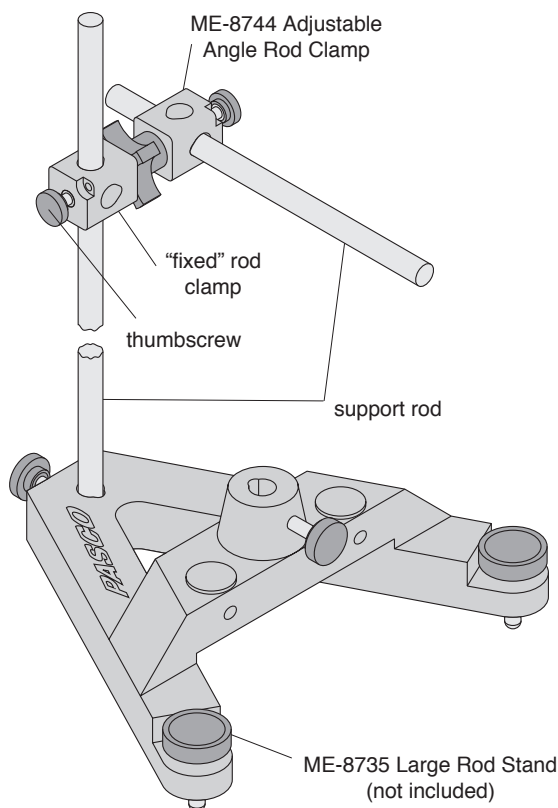


Figure 1: Setting Up the ME-8744 Adjustable Angle Rod Clamp

© 1996 PASCO scientific

This instruction sheet written/edited by: Robert Morrison

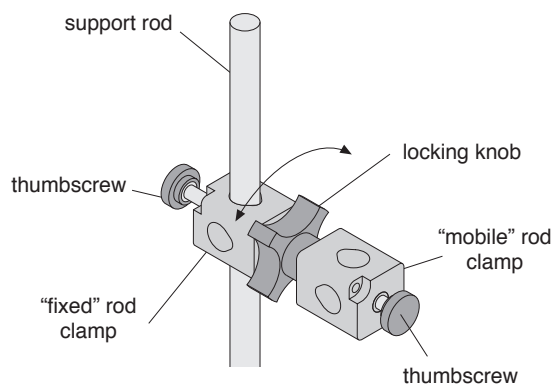


Figure 2: Adjustable Angle Rod Clamp Adjustment

Alternate use:

- ① Follow steps one and two above.
- ② Loosen the locking knob, and remove the mobile rod clamp.
- ③ Replace the mobile rod clamp with a piece of equipment that has a 1/4 - 20 thread. See Figure 3.
- ④ Rotate the equipment to the correct orientation then secure it with the locking knob.

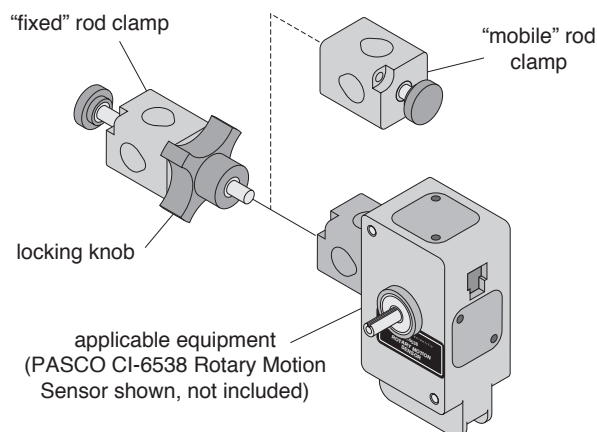


Figure 3: Alternate Use for the Adjustable Angle Rod Clamp

Limited Warranty

PASCO scientific warrants this product to be free from defects in materials and workmanship for a period of one year from the date of shipment to the customer. PASCO will repair or replace, at its option, any part of the product which is deemed to be defective in material or workmanship. This warranty does not cover damage to the product caused by abuse or improper use. Determination of whether a product failure is the result of a manufacturing defect or improper use by the customer shall be made solely by PASCO scientific. Responsibility for the return of equipment for warranty repair belongs to the customer. Equipment must be properly packed to prevent damage and shipped postage or freight prepaid. (Damage caused by improper packing of the equipment for return shipment will not be covered by the warranty.) Shipping costs for returning the equipment, after repair, will be paid by PASCO scientific.

Equipment Return

Should this product have to be returned to PASCO scientific, for whatever reason, notify PASCO scientific by letter or phone BEFORE returning the product. Upon notification, the return authorization and shipping instructions will be promptly issued.

► NOTE:
NO EQUIPMENT WILL BE ACCEPTED FOR RETURN WITHOUT AN AUTHORIZATION.

When returning equipment for repair, the units must be packed properly. Carriers will not accept responsibility for damage caused by improper packing. To be certain the unit will not be damaged in shipment, observe the following rules:

- ① The carton must be strong enough for the item shipped.
- ② Make certain there is at least two inches of packing material between any point on the apparatus and the inside walls of the carton.
- ③ Make certain that the packing material cannot shift in the box, or become compressed, thus letting the instrument come in contact with the edge of the box.